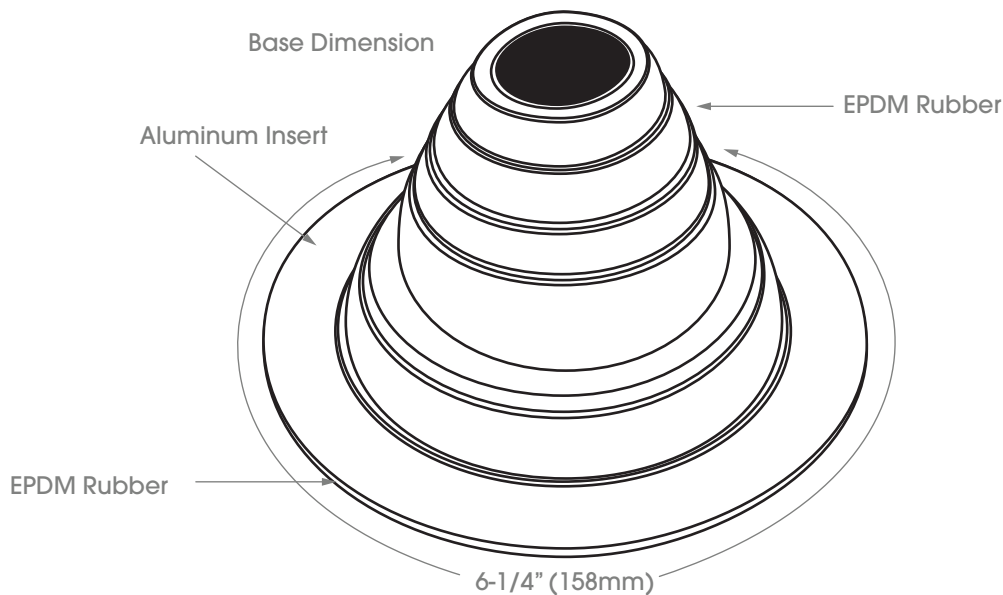
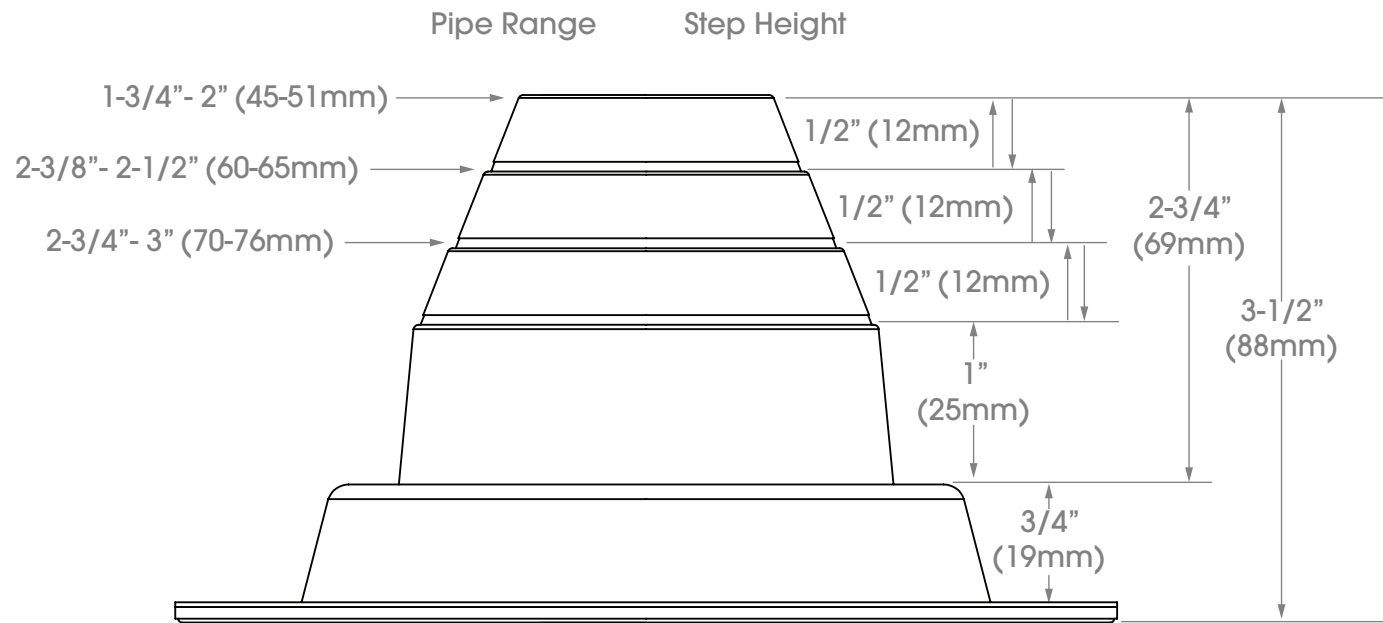


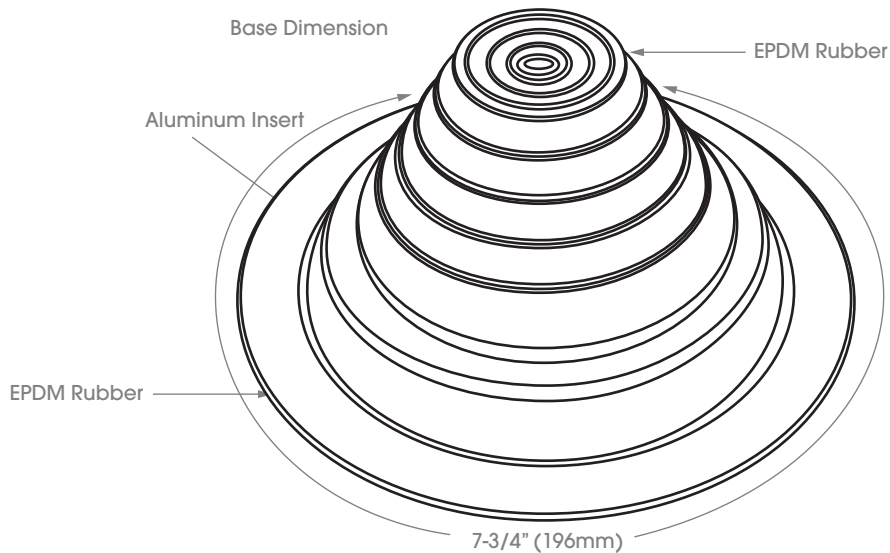
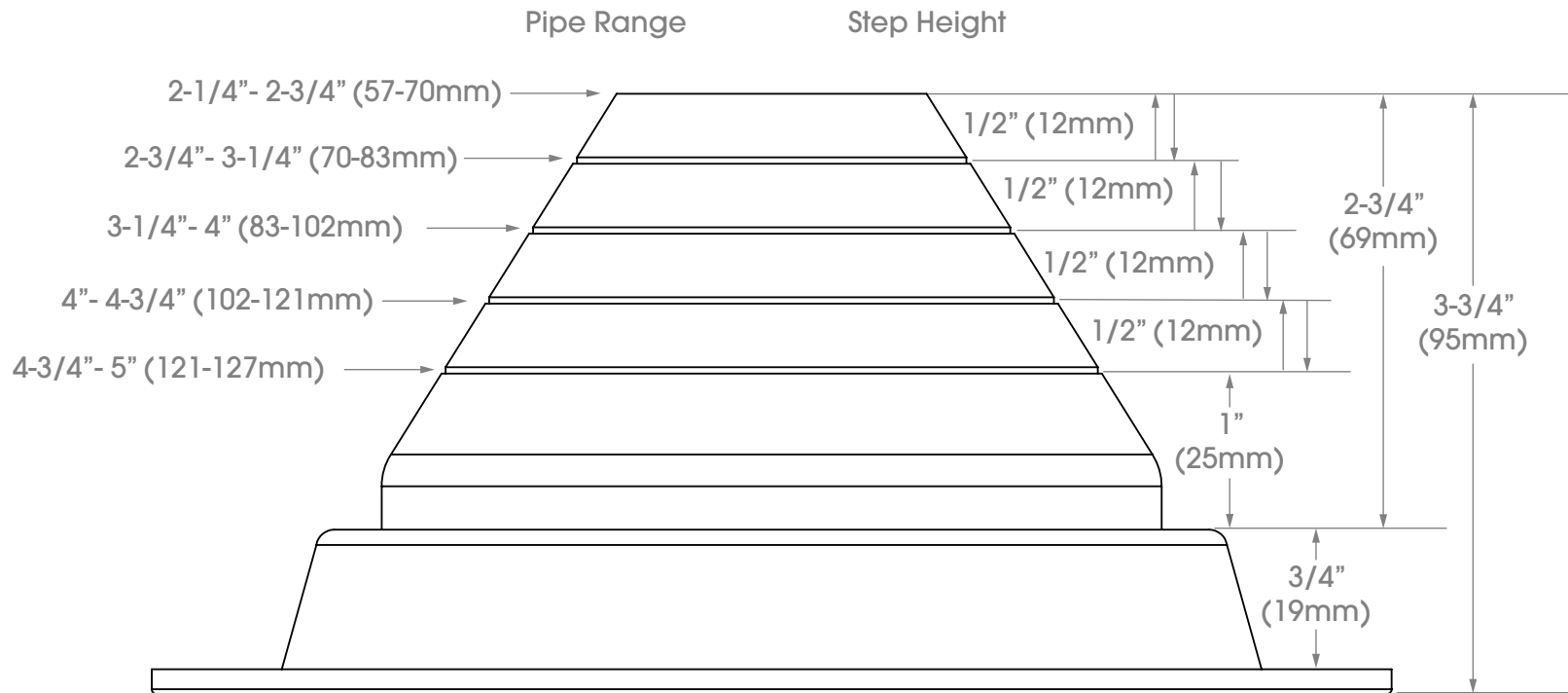
<b>DESCRIPTION:</b> <b>Pipe Flashing Master Flash® Universal #1</b> Pipe Range: 1/4" to 2-1/2" (6 to 63mm) • Base: 4-3/4" (120mm)	Advanced Ozone Resistance tested to...	70 hour @ 500 pphm	EPDM	RED & GREY HIGH TEMP SILICONE	ASTM Standards:  NAME: _____ DATE: _____	Materials:  DRAWING NUMBER:  <b>MARCO PART # MF1R</b>
	High Temperature Resistance Tested to	Intermittent Continuous	+135°C (+275°F) +100°C (+212°F)	+260°C (+500°F) +225°C (+437°F)		
Confidentially Agreement	Low Temperature Resistance tested to...	-55°C (-67°F)	-74°C (-101°F)			
THIS DRAWING CONTAINS INFORMATION THAT IS PROPERTY OF MARCO INDUSTRIES THIS DRAWING MAY NEITHER BE USED, COPIED, REPRODUCED OR DISTRIBUTED TO THIRD PARTIES WITHOUT WRITTEN CONSENT.	Compression Set Maximum...	25%	50%			
	BOX QUANTITY:				DRAWN BY:	
					CHECKED BY:	
					APPROVED BY:	

Master Flash® is a registered trademark of the Aztec Washer Company



<b>DESCRIPTION:</b> <b>Pipe Flashing Master Flash® Universal #2</b> Pipe Range: 1-3/4" to 3" (45 to 76mm) • Base: 6-1/4" (158mm)	Advanced Ozone Resistance tested to...	70 hour @ 500 pphm	EPDM	RED & GREY HIGH TEMP SILICONE	70 hour @ 500 pphm	ASTM Standards:	Materials:	
	High Temperature Resistance Tested to	Intermittent +135°C (+275°F) Continuous +100°C (+212°F)	+260°C (+500°F)	+225°C (+437°F)				DRAWING NUMBER:
Confidentially Agreement	Low Temperature Resistance tested to...	-85°C (-67°F)	-74°C (-101°F)				NAME:	DATE:
THIS DRAWING CONTAINS INFORMATION THAT IS PROPERTY OF MARCO INDUSTRIES THIS DRAWING MAY NEITHER BE USED, COPIED, REPRODUCED OR DISTRIBUTED TO THIRD PARTIES WITHOUT WRITTEN CONSENT.	Compression Set Maximum...	25%	50%					
	BOX QUANTITY:					DRAWN BY:		
						CHECKED BY:		
						APPROVED BY:		
						MARCO PART #MF2R		

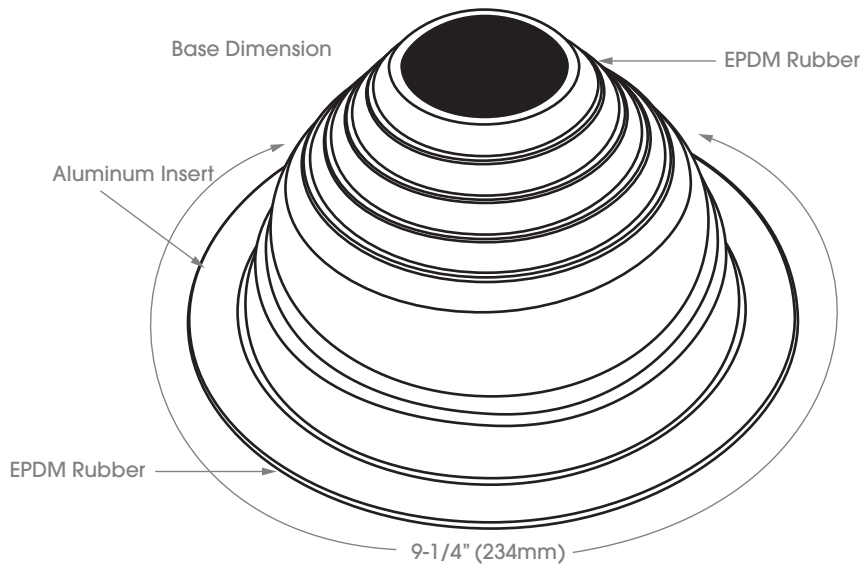
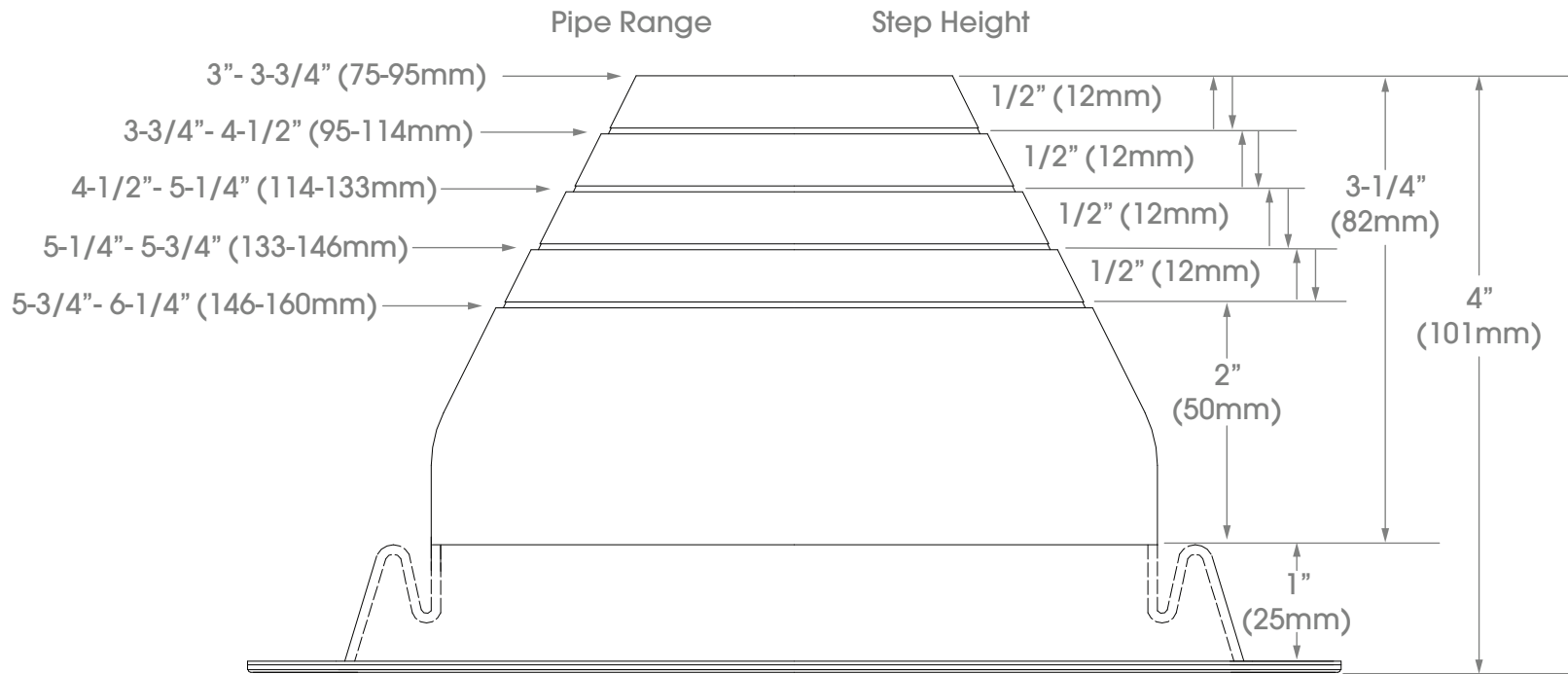
Master Flash® is a registered trademark of the Aztec Washer Company



<b>DESCRIPTION:</b> <b>Pipe Flashing Master Flash® Universal #3</b> Pipe Range: 1/4" to 5" (6 to 127mm) • Base: 7-3/4" (196mm)	Advanced Ozone Resistance tested to...	EPDM 70 hour @ 500 pphm	RED & GREY HIGH TEMP SILICONE 70 hour @ 500 pphm	<b>ASTM Standards:</b>  NAME: _____ DATE: _____	<b>Materials:</b>  DRAWING NUMBER:
	High Temperature Resistance Tested to	Intermittent +135°C (+275°F)	Continuous +100°C (+212°F)		
Confidentially Agreement	Low Temperature Resistance tested to...	-55°C (-67°F)	-74°C (-101°F)		
	Compression Set Maximum...	25%	50%		
THIS DRAWING CONTAINS INFORMATION THAT IS PROPERTY OF MARCO INDUSTRIES THIS DRAWING MAY NEITHER BE USED, COPIED, REPRODUCED OR DISTRIBUTED TO THIRD PARTIES WITHOUT WRITTEN CONSENT.	BOX QUANTITY:			DRAWN BY:	
				CHECKED BY:	
				APPROVED BY:	

Master Flash® is a registered trademark of the Aztec Washer Company

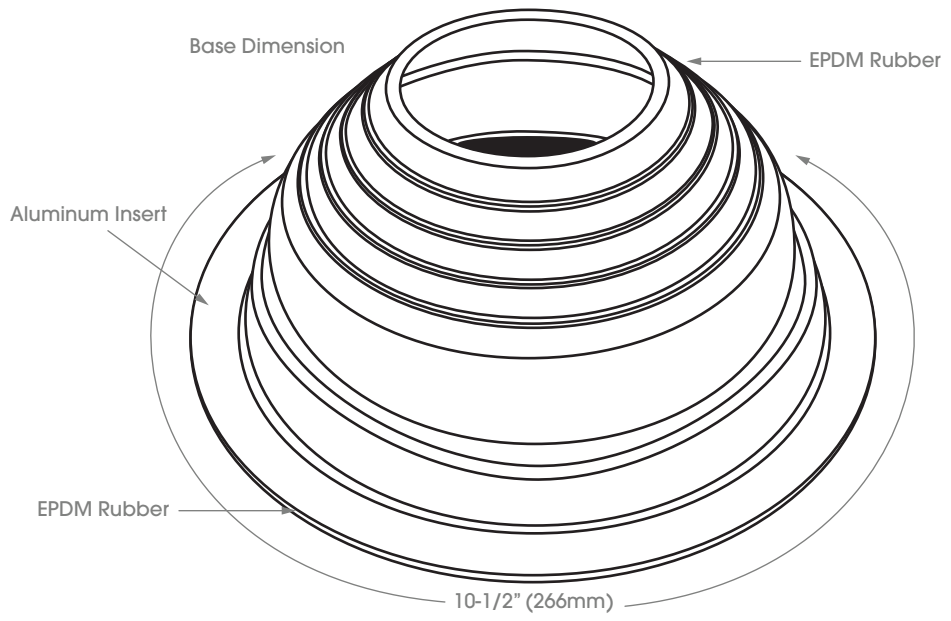
MARCO PART #MF3R



<b>DESCRIPTION:</b> <b>Pipe Flashing Master Flash® Universal #4</b> Pipe Range: 3" to 6-1/4" (76 to 158mm) • Base: 9-1/4" (234mm)	Advanced Ozone Resistance tested to...	EPDM 70 hour @ 500 pphm	RED & GREY HIGH TEMP SILICONE 70 hour @ 500 pphm	ASTM Standards:	Materials:
	High Temperature Resistance Tested to	Intermittent +135°C (+275°F)	Continuous +100°C (+212°F)		
Confidentially Agreement	Low Temperature Resistance tested to...	-55°C (-67°F)	-74°C (-101°F)		DRAWING NUMBER:
THIS DRAWING CONTAINS INFORMATION THAT IS PROPERTY OF MARCO INDUSTRIES THIS DRAWING MAY NEITHER BE USED, COPIED, REPRODUCED OR DISTRIBUTED TO THIRD PARTIES WITHOUT WRITTEN CONSENT.	Compression Set Maximum...	25%	50%		
	BOX QUANTITY:			DRAWN BY:	NAME:
				CHECKED BY:	DATE:
				APPROVED BY:	MARCO PART #MF4R

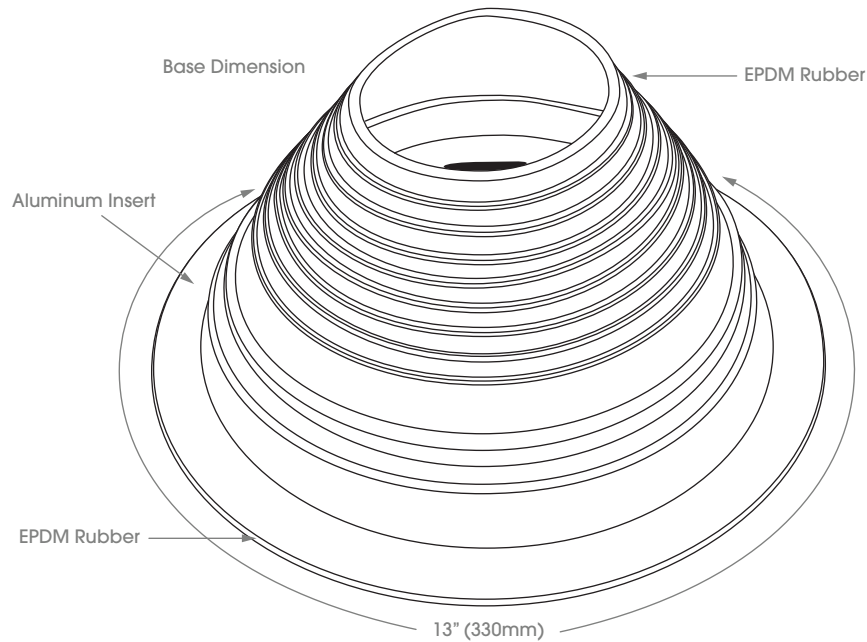
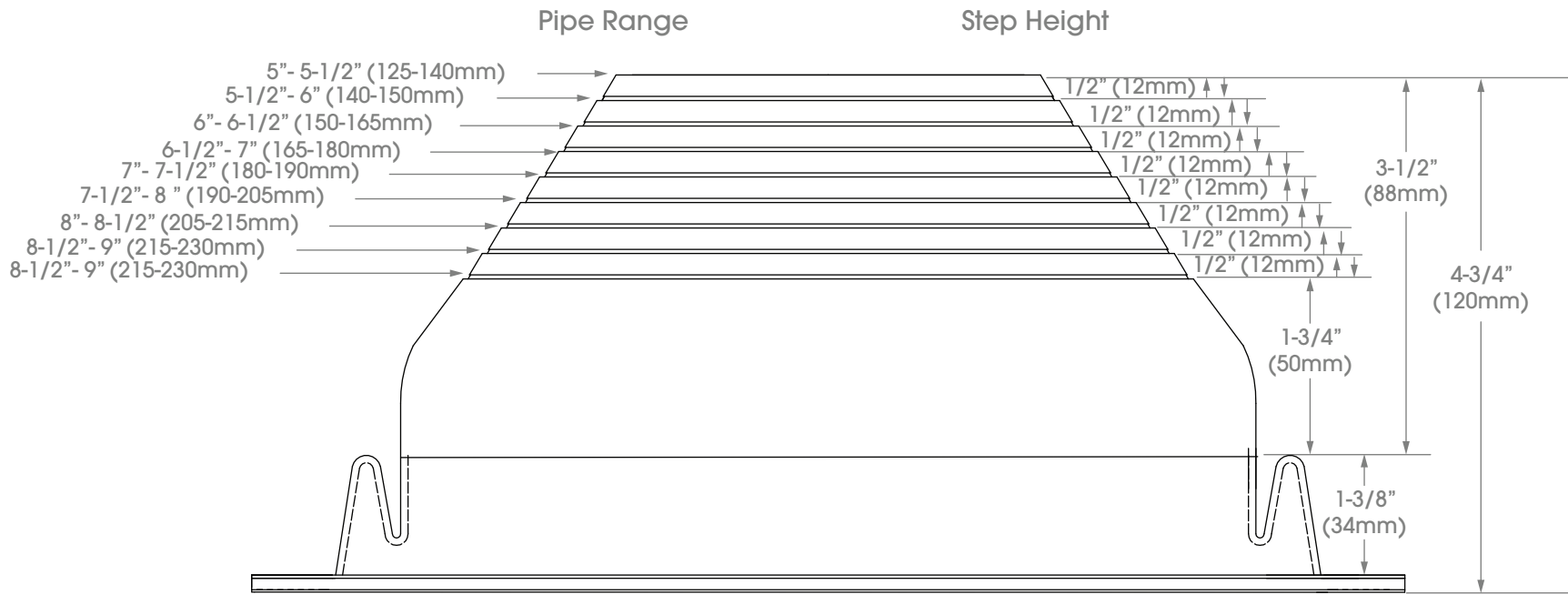
Master Flash® is a registered trademark of the Aztec Washer Company





<b>DESCRIPTION:</b> <b>Pipe Flashing Master Flash® Universal #5</b> Pipe Range: 4-1/4" to 7-3/4" (107 to 228mm) • Base: 10-1/2" (266mm)	Advanced Ozone Resistance tested to...	EPDM 70 hour @ 500 pphm	RED & GREY HIGH TEMP SILICONE 70 hour @ 500 pphm	ASTM Standards:	Materials:
	High Temperature Resistance Tested to	Intermittent +135°C (+275°F)	Continuous +100°C (+212°F)		
Confidentially Agreement	Low Temperature Resistance tested to...	-85°C (-67°F)	-74°C (-101°F)		DRAWING NUMBER:
THIS DRAWING CONTAINS INFORMATION THAT IS PROPERTY OF MARCO INDUSTRIES THIS DRAWING MAY NEITHER BE USED, COPIED, REPRODUCED OR DISTRIBUTED TO THIRD PARTIES WITHOUT WRITTEN CONSENT.	Compression Set Maximum...	25%	50%		
	BOX QUANTITY:			DRAWN BY:	NAME:
				CHECKED BY:	DATE:
				APPROVED BY:	MARCO PART #MF5R

Master Flash® is a registered trademark of the Aztec Washer Company

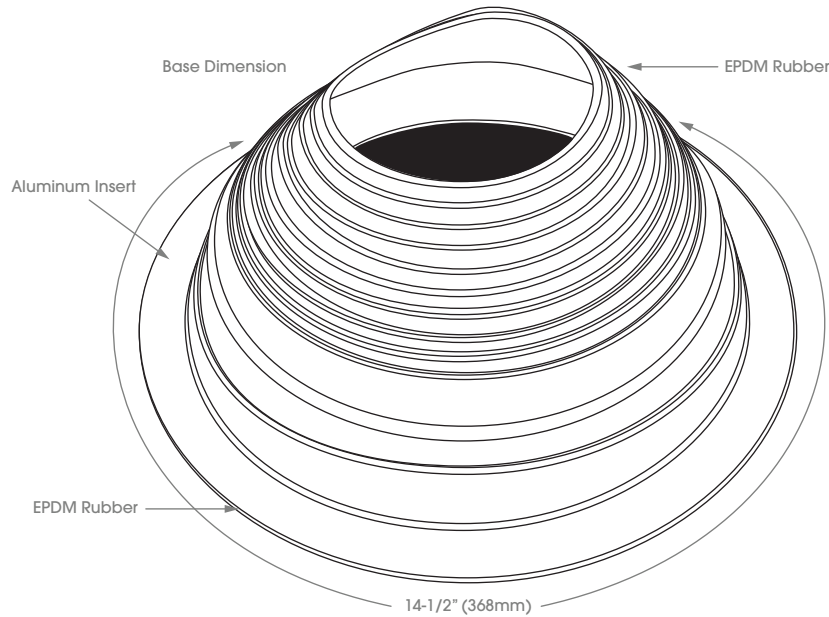
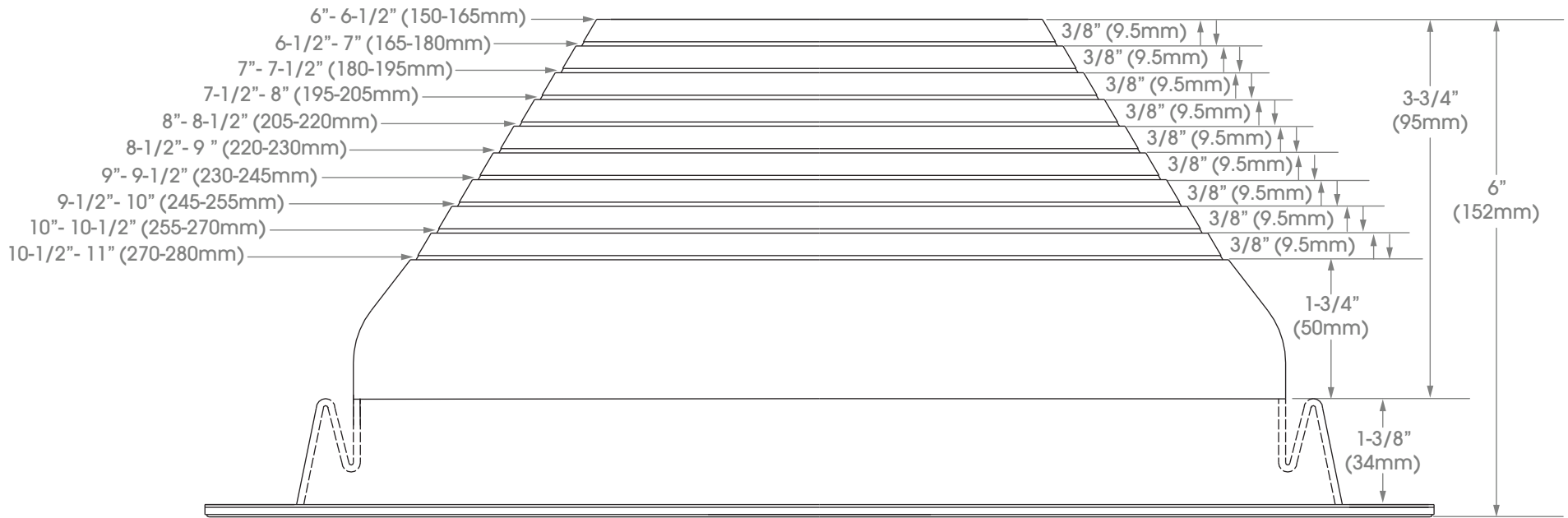


<b>DESCRIPTION:</b> <b>Pipe Flashing Master Flash® Universal #6</b> Pipe Range: 5" to 9" (127 to 228mm) • Base: 13" (330mm)	Advanced Ozone Resistance tested to...	70 hour @ 500 pphm	EPDM	RED & GREY HIGH TEMP SILICONE	ASTM Standards:  NAME: _____ DATE: _____	Materials:  DRAWING NUMBER:
	High Temperature Resistance Tested to	Intermittent	+135°C (+275°F)	+260°C (+500°F)		
Confidentially Agreement THIS DRAWING CONTAINS INFORMATION THAT IS PROPERTY OF MARCO INDUSTRIES THIS DRAWING MAY NEITHER BE USED, COPIED, REPRODUCED OR DISTRIBUTED TO THIRD PARTIES WITHOUT WRITTEN CONSENT.	Low Temperature Resistance tested to...	-85°C (-121°F)	-74°C (-101°F)		BOX QUANTITY:	DRAWN BY: CHECKED BY: APPROVED BY:
	Compression Set Maximum...	25%	50%			

Master Flash® is a registered trademark of the Aztec Washer Company

Pipe Range

Step Height

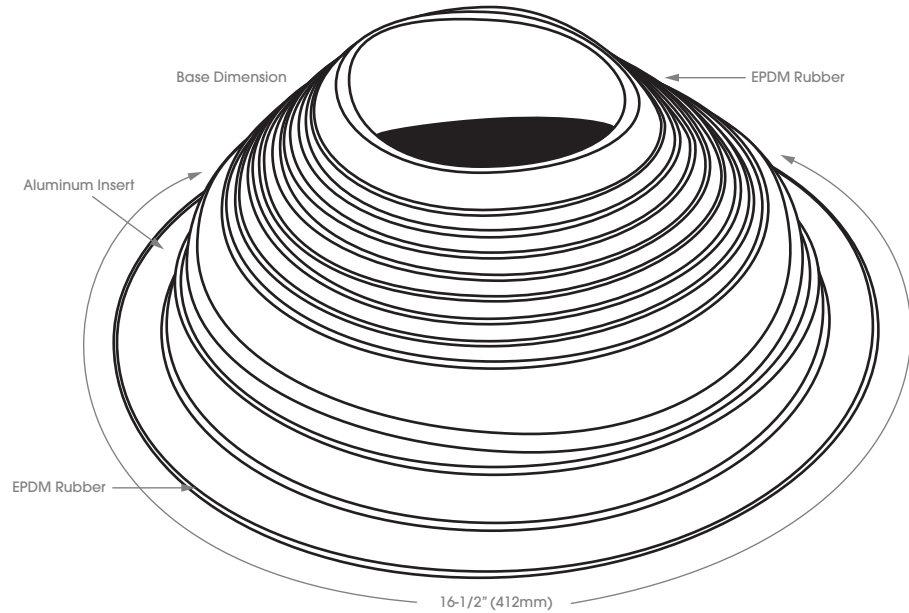
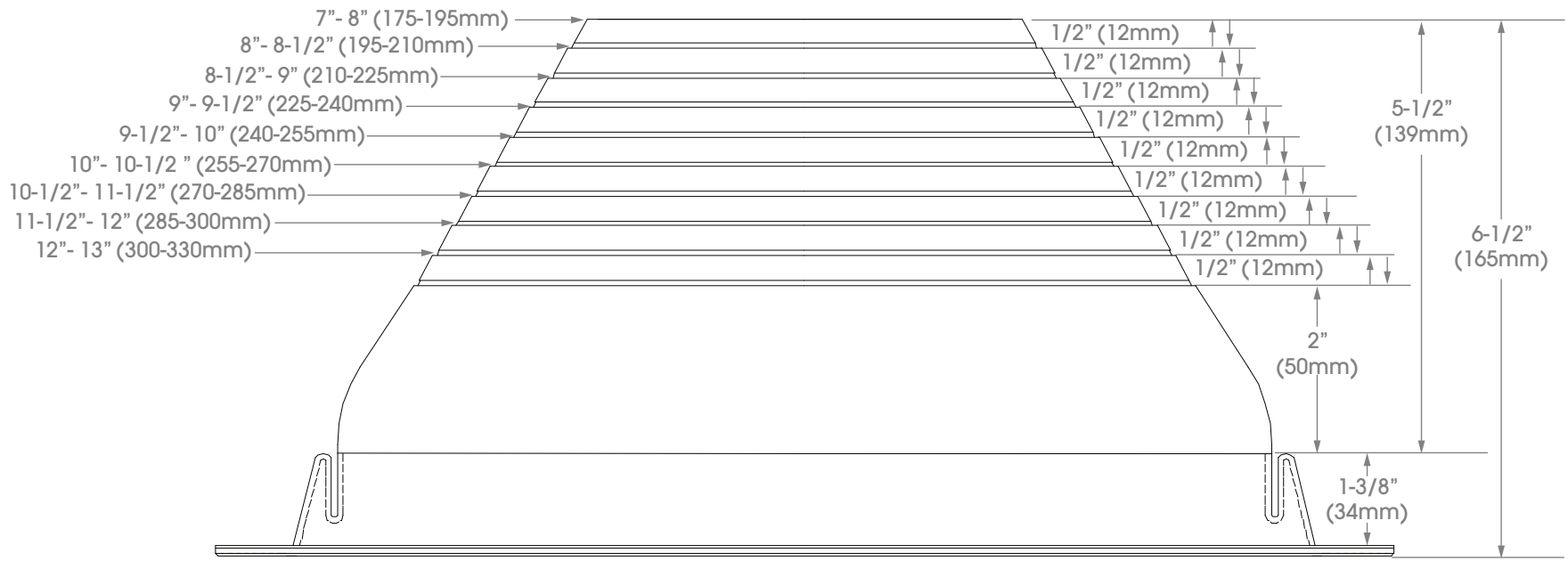


<b>DESCRIPTION:</b> Pipe Flashing Master Flash® Universal #7 Pipe Range: 6" to 11" (152 to 279mm) • Base: 14-1/2" (368mm)	Advanced Ozone Resistance tested to...	EPDM 70 hour @ 500 pphm	RED & GREY HIGH TEMP SILICONE 70 hour @ 500 pphm	ASTM Standards:	Materials:
	High Temperature Resistance Tested to	Intermittent +135°C (+275°F) Continuous +100°C (+212°F)	+260°C (+500°F) +225°C (+437°F)		
Confidentially Agreement	Low Temperature Resistance tested to...	-55°C (-67°F)	-74°C (-101°F)	NAME: _____ DATE: _____	DRAWING NUMBER:  MARCO PART #MF7R
THIS DRAWING CONTAINS INFORMATION THAT IS PROPERTY OF MARCO INDUSTRIES THIS DRAWING MAY NEITHER BE USED, COPIED, REPRODUCED OR DISTRIBUTED TO THIRD PARTIES WITHOUT WRITTEN CONSENT.	Compression Set Maximum...	25%	50%		
BOX QUANTITY: _____			CHECKED BY: _____	APPROVED BY: _____	

Master Flash® is a registered trademark of the Aztec Washer Company

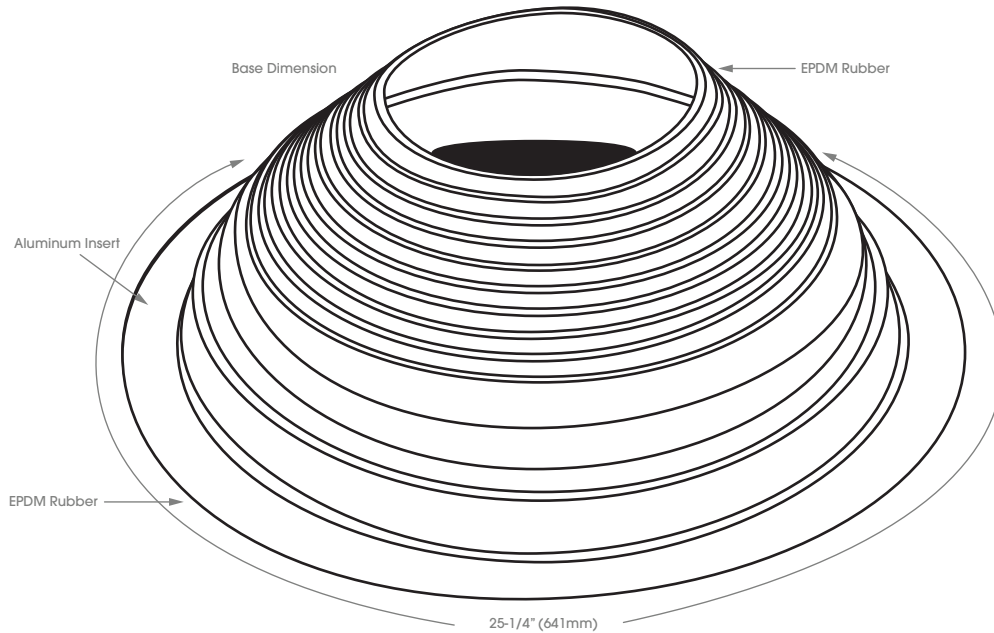
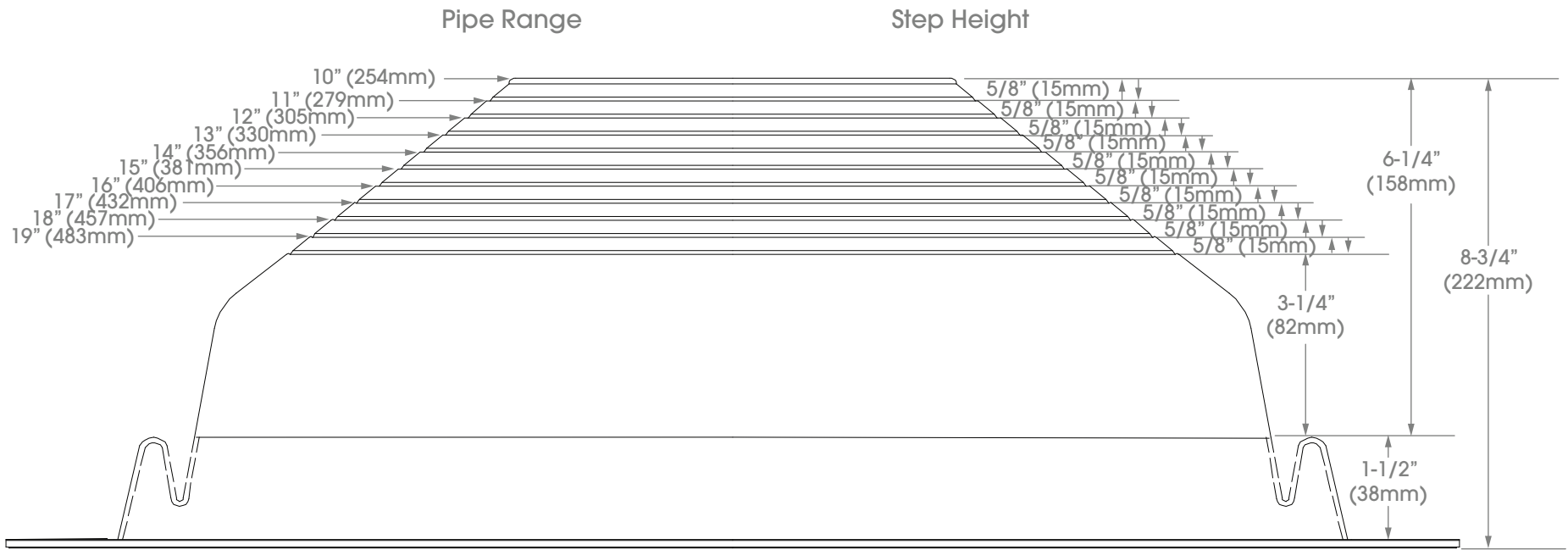
Pipe Range

Step Height



<b>DESCRIPTION:</b> Pipe Flashing Master Flash® Universal #8 Pipe Range: 7" to 13" (177 to 330mm) • Base: 16-1/2" (412mm)	Advanced Ozone Resistance tested to...	EPDM 70 hour @ 500 pphm	RED & GREY HIGH TEMP SILICONE 70 hour @ 500 pphm	ASTM Standards: NAME: _____ DATE: _____	Materials: DRAWING NUMBER:
	High Temperature Resistance Tested to	Intermittent +135°C (+275°F)	Continuous +100°C (+212°F)		
Confidentially Agreement	Low Temperature Resistance tested to...	-55°C (-67°F)	-74°C (-101°F)		
THIS DRAWING CONTAINS INFORMATION THAT IS PROPERTY OF MARCO INDUSTRIES THIS DRAWING MAY NEITHER BE USED, COPIED, REPRODUCED OR DISTRIBUTED TO THIRD PARTIES WITHOUT WRITTEN CONSENT.	Compression Set Maximum...	25%	50%		
	BOX QUANTITY:			DRAWN BY:	
				CHECKED BY:	
			APPROVED BY:		MARCO PART #MF8R

Master Flash® is a registered trademark of the Aztec Washer Company



<b>DESCRIPTION:</b> <b>Pipe Flashing Master Flash® Universal #9</b> Pipe Range: 9" to 19" (228 to 482mm) • Base: 25-1/4" (641mm)	Advanced Ozone Resistance tested to...	EPDM 70 hour @ 500 pphm	RED & GREY HIGH TEMP SILICONE 70 hour @ 500 pphm	ASTM Standards:	Materials:
	High Temperature Resistance Tested to	Intermittent +135°C (+275°F)	Continuous +100°C (+212°F)		
Confidentially Agreement	Low Temperature Resistance tested to...	-55°C (-67°F)	-74°C (-101°F)		DRAWING NUMBER:
THIS DRAWING CONTAINS INFORMATION THAT IS PROPERTY OF MARCO INDUSTRIES THIS DRAWING MAY NEITHER BE USED, COPIED, REPRODUCED OR DISTRIBUTED TO THIRD PARTIES WITHOUT WRITTEN CONSENT.	Compression Set Maximum...	25%	50%		
	BOX QUANTITY:			DRAWN BY:	NAME:
				CHECKED BY:	DATE:
			APPROVED BY:		MARCO PART #MF9R

Master Flash® is a registered trademark of the Aztec Washer Company