



Roofing Ventilation & Accessories

The Marco Clip System

# M-Clips™

Hidden clips that fasten standing seam roof panels together

*Our statistical process control system maintains all dimensions and met tolerances to ensure the utmost precision and quality. While our competitors' lower grade steel clips may have burrs that cause leaks and rust, our M-Clips™ are made from premium grade steel that are free of burrs. Be sure your project is Weather-Tite™ with Marco's M-Clips.*

A standing seam roof is only as reliable as the clips that hold it all together.

Which is why Marco offers two types of clips made from premium steel, 18- 26-gauge, that will not fail under extreme heat, ice, rain or wind. We've ensured that the utmost quality is in your hands—our clips are completely free of burrs, preventing rust and other corrosion problems. Our clips are also inspected during the production process to guarantee all dimensions will match factory panel specifications.

As opposed to “thru-fastened” roofs, standing seam roofs are made of spring joints that fasten panels together along their edges. Because standing seam roofs are designed to float and the fasteners are concealed, they do not leak. Our clips function in much the same way—they are hidden, fastened to the roof while the panel is pressed down onto the clip, locking it in place. Simple, effective and absolutely reliable.

Whatever your standing seam roof requires—fixed mechanical seam clips, snap lock clips, or ClipScrews— we have you covered with the M-Clips roof clip system. Our Weather-Tite system keeps everything out of sight.



**m-clips™**

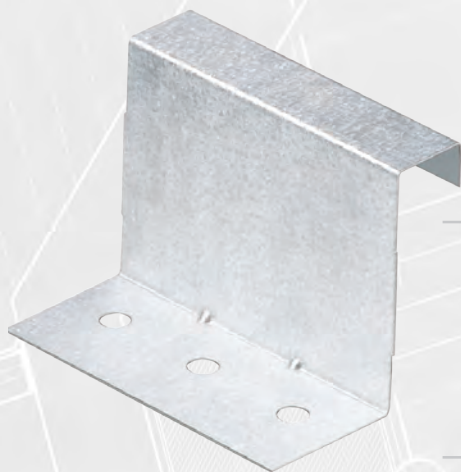
For more information: 1.800.800.8590 • [marcoindustries.com](http://marcoindustries.com)

# Mechanical Seam

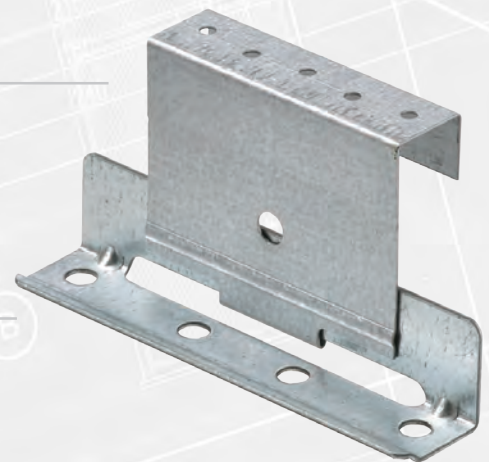
Our fixed mechanical seam clips keep everything in place—with a slider assembly that can stand up to extreme wind stress. The slider assemblies for panels over 40' allow for thermal expansion between the panels during intense hot or cold temperatures. Heavy duty to withstand all types of environments, including excessive heat, ice and wind.

MANUFACTURER PANEL NAME	CLIP NAME	STANDARD	ALTERNATE	GAUGES
Englert - A1300 Mechanical Seam Standard	1-5/8" Fixed Clip	MRC-107	MRC-128 - Slider Assembly	24
Englert - A1301 Mechanical Seam Special	1-1/8" Fixed Clip	MRC-105	MRC-205 - Slider Assembly	24
Englert - S2500 Mechanical Seam	2-1/8" Fixed Clip - N	MRC-108	MRC-129 - Slider Assembly	24 / 22
ESE - 1" Mechanical Seam	1-1/8" Fixed Clip	MRC-105	MRC-205 - Slider Assembly	24
ESE - 1-1/2" Mechanical Seam	1-5/8" Fixed Clip	MRC-107	MRC-128 - Slider Assembly	24
Knudson - KR-24 2" Mechanical Seam	2-1/8" Fixed Clip - N	MRC-108	MRC-129 - Slider Assembly	24 / 22
Metal Forming - 1" Mechanical Lock	1-1/8" Fixed Clip	MRC-105	MRC-205 - Slider Assembly	24
Metal Forming - 1.5" Mechanical Lock / Quadra Pro - TM	1-5/8" Fixed Clip	MRC-107	MRC-128 - Slider Assembly	24
Metal Forming - 2" Mechanical Lock / Quadra Pro - TM	2-1/8" Fixed Clip	MRC-145	MRC-146 - Slider Assembly	24 / 22
New Tech - SS100 Mechanical Seam	1-1/8" Fixed Clip	MRC-105	MRC-205 - Slider Assembly	24
New Tech - SS150 1.5" Mechanical Seam	1-5/8" Fixed Clip	MRC-107	MRC-128 - Slider Assembly	24
New Tech - SS200P - 2" Mechanical Seam	2-1/8" Fixed Clip - M	MRC-108	MRC-129 - Slider Assembly	24 / 22
Roll Former - VS-150 1" Mechanical Seam	1-1/8" Fixed Clip	MRC-105	MRC-205 - Slider Assembly	24
Roll Former - VS-150 1-1/2" Mechanical Seam	1-5/8" Fixed Clip	MRC-107	MRC-128 - Slider Assembly	-
Roll Former - VS-150 1-1/2" Mechanical Seam Plus 50 Profile	1-5/8" Fixed Clip	MRC-107	MRC-128 - Slider Assembly	24

\*Contact Marco for more options.



**STANDARD**



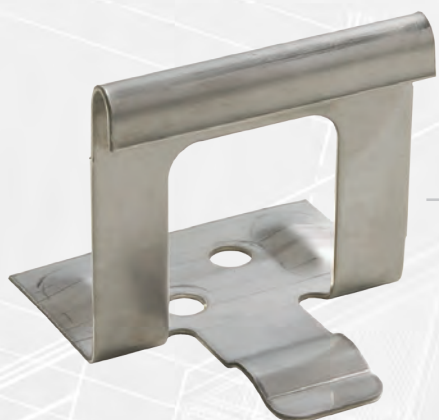
**SLIDER ASSEMBLY**

# Snap Lock

Our hard-working snap lock clips make attaching roof panels a snap. Use Marco screws to secure and simply snap your roof into place. Heavy-duty to withstand all types of environments, including excessive heat, ice and wind.

MANUFACTURER PANEL NAME	CLIP NAME	STANDARD	ALTERNATE
Englert - A1500 Snap Lock	1-1/2" Snap Lock Clip	MRC-112	MRC-115 - Heavy Duty 3-1/2" Base
Englert - S2000 Snap Lock	1-3/4" Snap Lock Clip	MRC-100	MRC-113 - Heavy Duty 3-1/2" Base
Metal Forming - 1" Snap Seam / Quadra Pro - TM	1" Snap Lock Clip	MRC-130	-
Metal Forming - 1.5" Snap Seam / Quadra Pro - TM	1-1/2" Snap Lock Clip	MRC-112	MRC-115 - Heavy Duty 3-1/2" Base
Metal Forming - 1.75" Snap Seam / Quadra Pro - TM	1-3/4" Snap Lock Clip	MRC-101	MRC-114 Heavy Duty 3-1/2" Base
New Tech - SS675 - 1-3/4" Snap Lock	1-3/4" Snap Lock Clip	MRC-101	MRC-114 - Heavy Duty 3-1/2" Base
Zimmerman - SL-1750 1-3/4" Snap Lock	1-3/4" Snap Lock Clip	MRC-101	Heavy Duty 3-1/2" Base

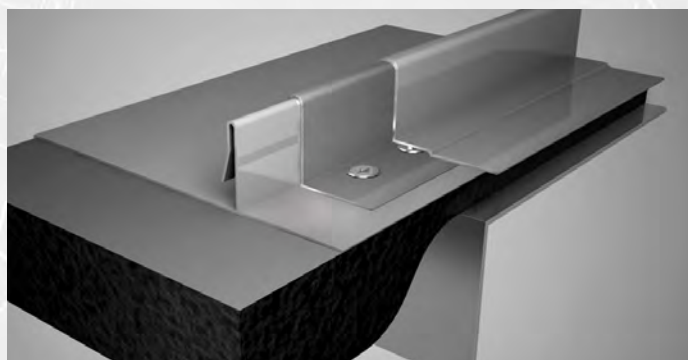
\*Contact Marco for more options.



**STANDARD**



**HEAVY DUTY**



**M - CLIP  
INSTALATION**

# ClipScrews & UltraLo Screws

*Like all other Marco products, our clip screws are made of heavy-duty alloys that stand up to tough rooftop conditions. Both our ClipScrews and UltraLo models fasten smoothly and securely to prevent canning on roof panels—a hallmark of poor product quality.*



## ClipScrews

Standard clip screws have regular profile heads. When those regular clip screws don't fasten tight, it can cause dimpled roof panels and result in serious loose panel problems. Problem solved with Marco's low profile ClipScrews – available in both QuikGrip™ and QuikDrill™

QuikGrip™ and QuikDrill™ ClipScrews™ have a deep thread that pulls the fastener tighter and resists pullout better. And with the 17pt special thread design, you'll get an even quicker drill or grip on 24 and 26 ga. metal.

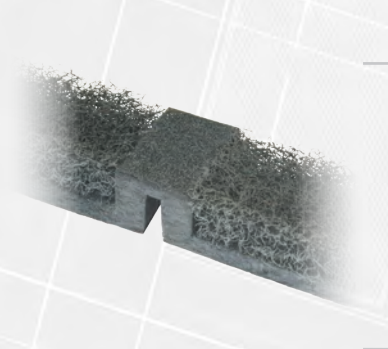


## ULTRALO

For a low profile clip screw that causes absolutely no canning or telescoping – which can add a “wavy” appearance to your standing seam roof – choose Marco's UltraLo ClipScrews.

UltraLo's head is 45% lower than a standard clip screw. It is also designed with an aggressive double lead thread for faster installation. Available in a regular #2 Phillips Square Wafer head and 36° point, this heavy-duty clip screw is made to last.

*To make sure that your standing seam roof is truly Weather-Tite, make sure to ventilate the ridgecap with LP2 – a durable, non-woven, and non-wicking custom profile ridge vent that is flame and tear resistant.*



Custom contours fit any pitch, all major metal roof profiles, for either ridge cap application or roof-to-wall applications. LP2™ creates a low-profile look and a seal that helps keep out moisture. Python™ is a single-layer, non-fabric-covered ridge vent re-cycled material made from silicone-coated fibers that prohibit clogging. This strong, durable, modified polyester allows the greatest air flow in and out of the attic. The special cut contours plus a 2" Marco closure create an incredible WEATHER TITE™ seal to help keep out moisture, insects, dust, and plant materials.

M-Clips™ represent yet another Marco Industries technological development in bringing you innovative, higher quality, and more economical products for the building industry.